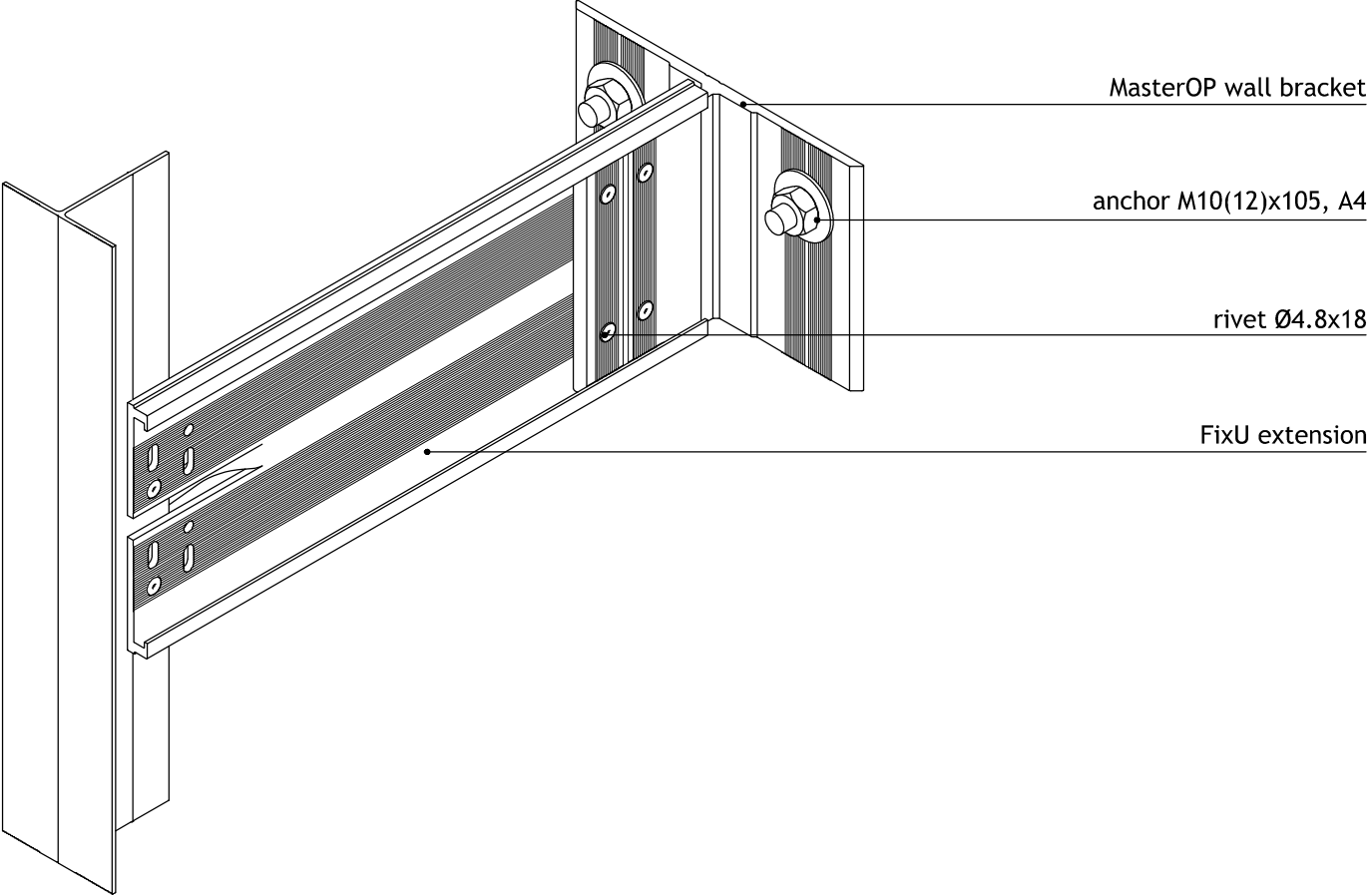


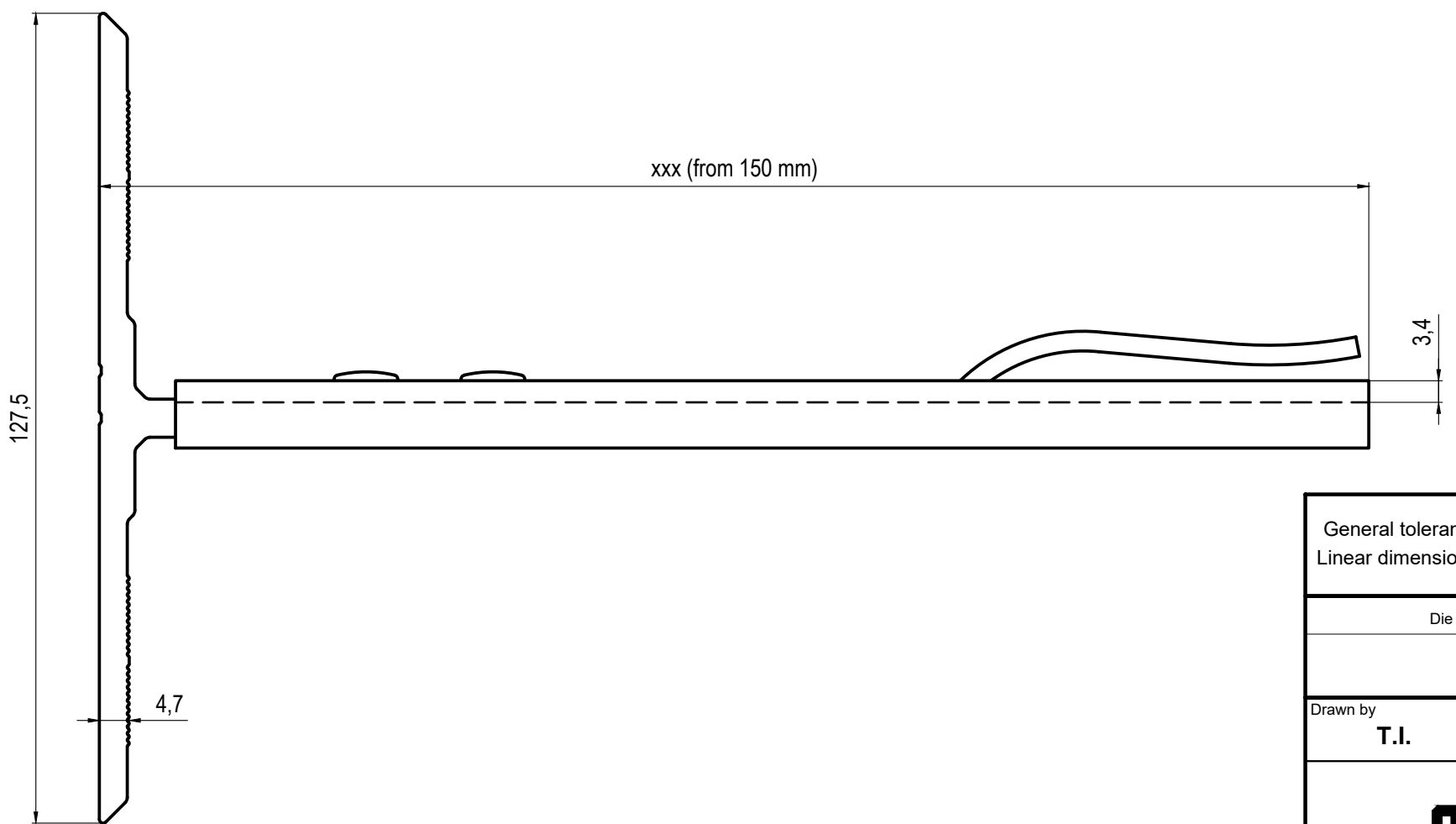
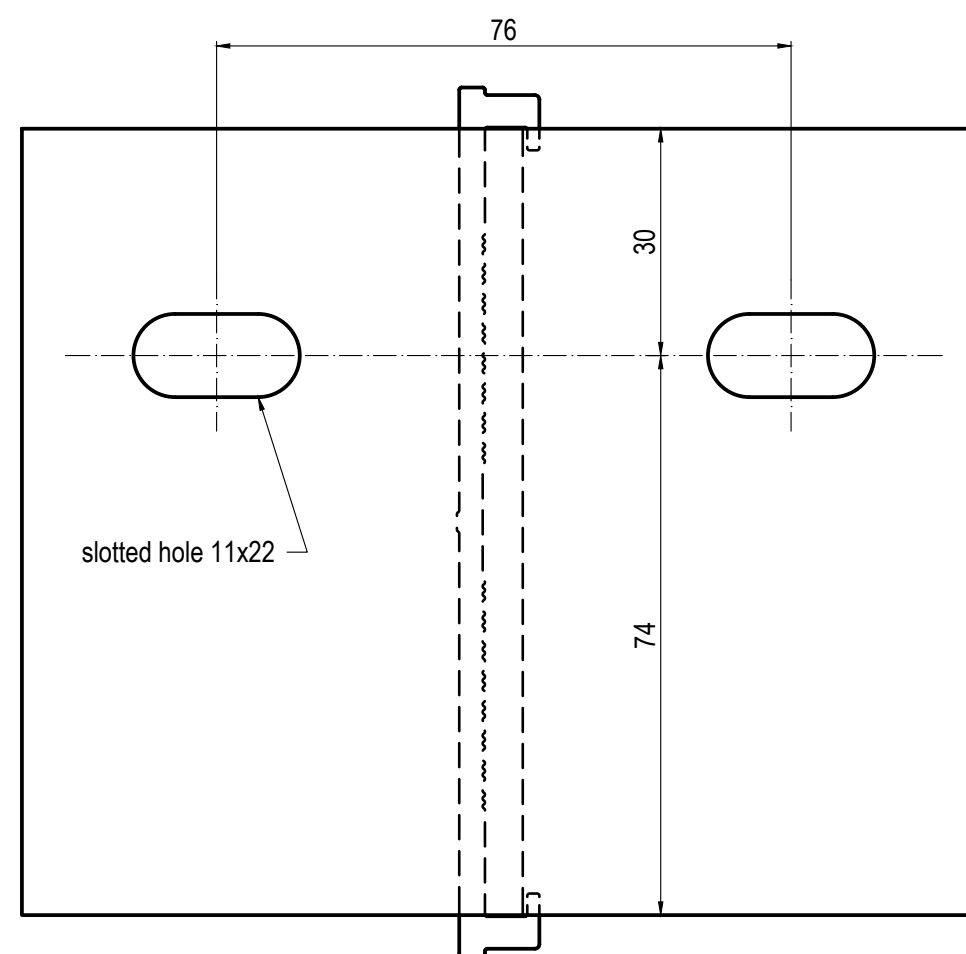
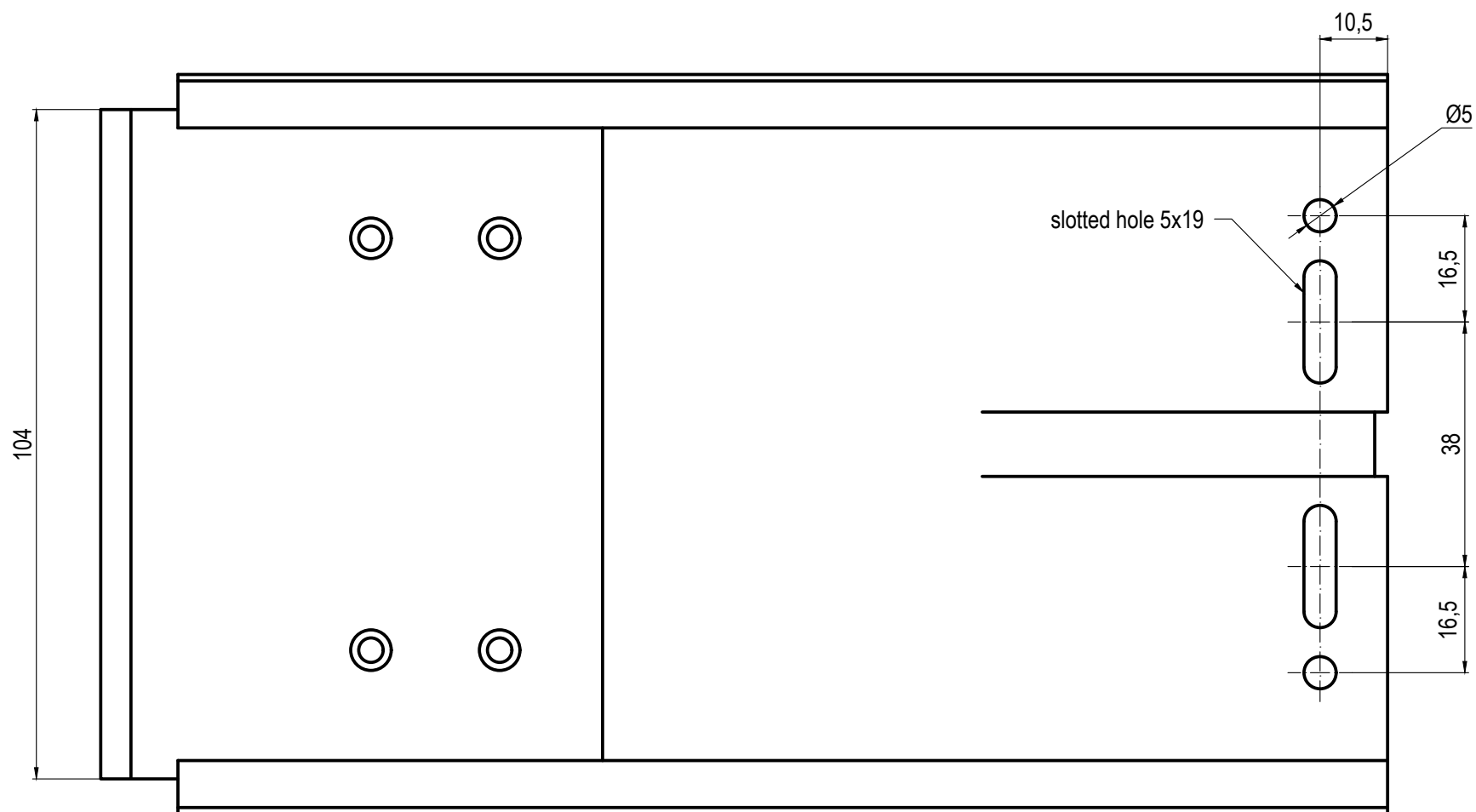
FixU

WALL BRACKET

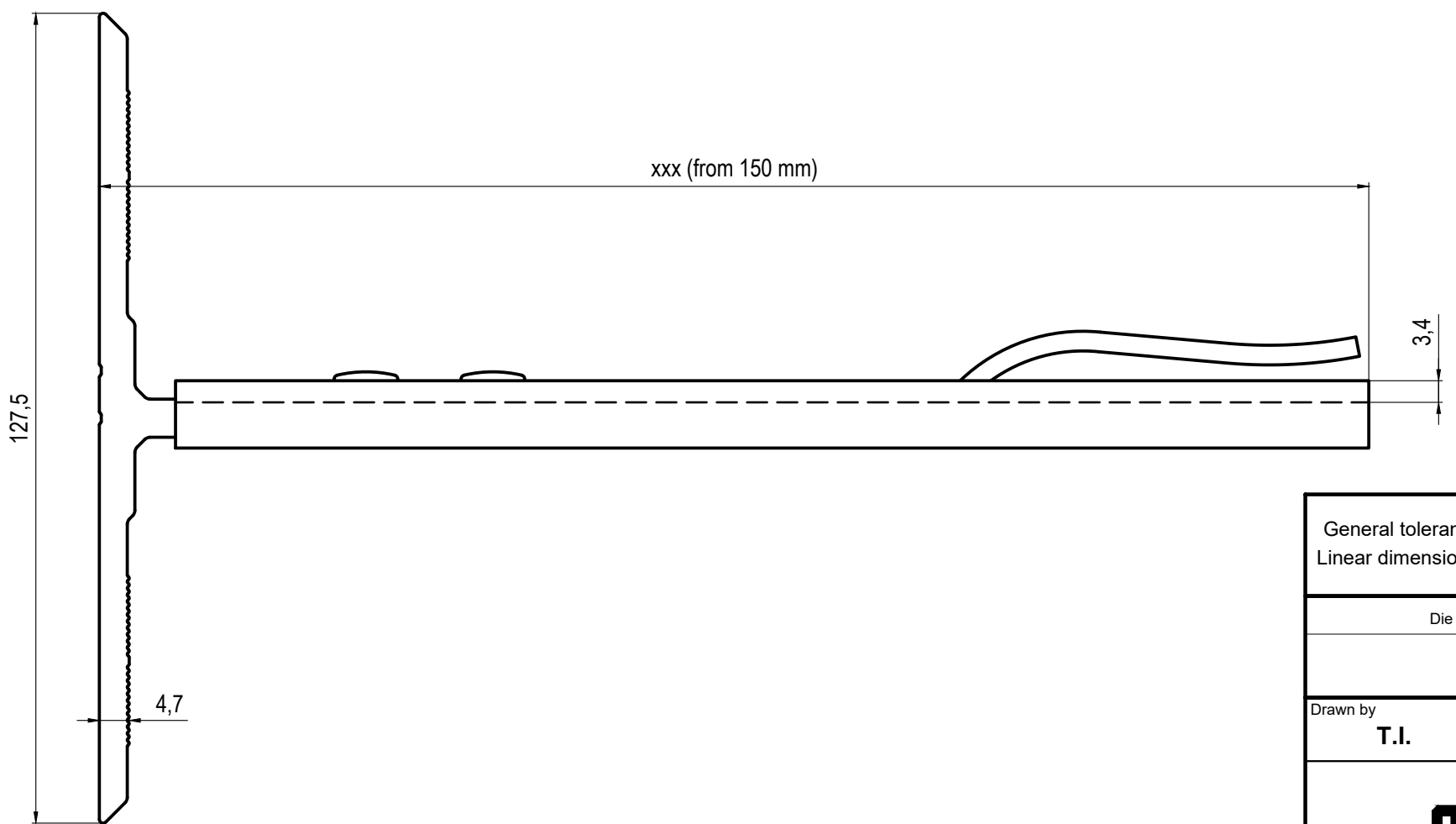
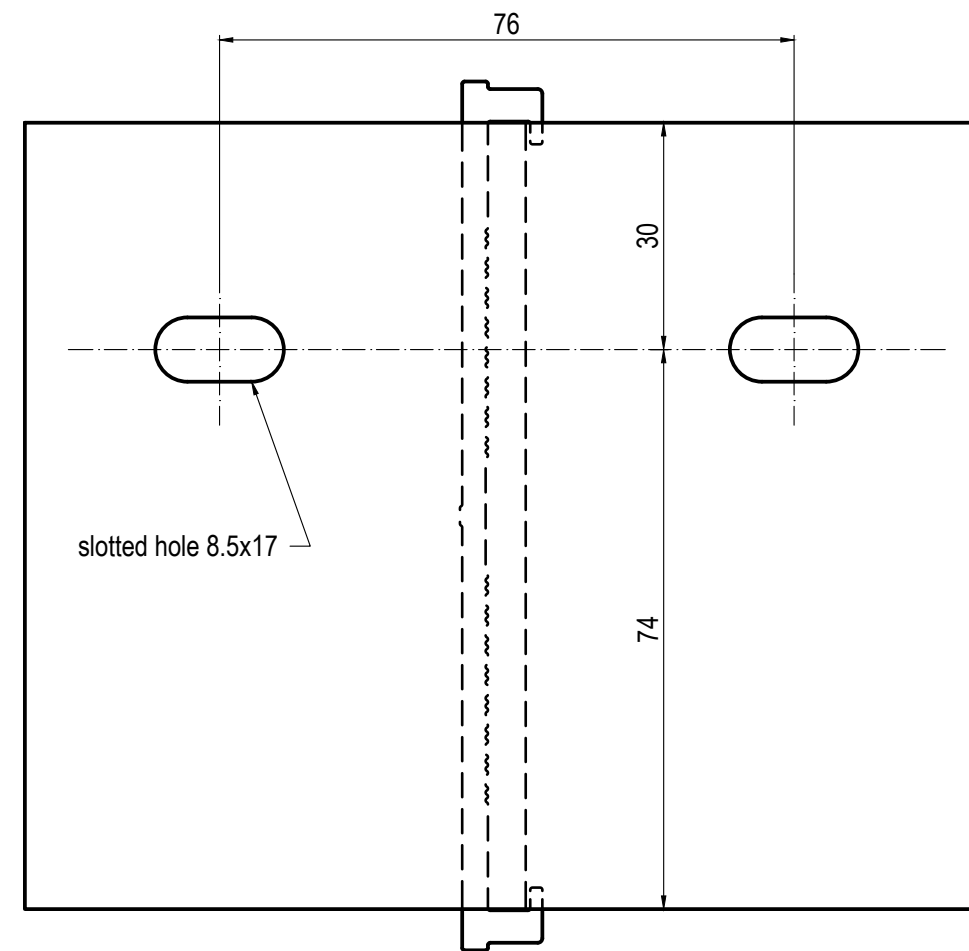
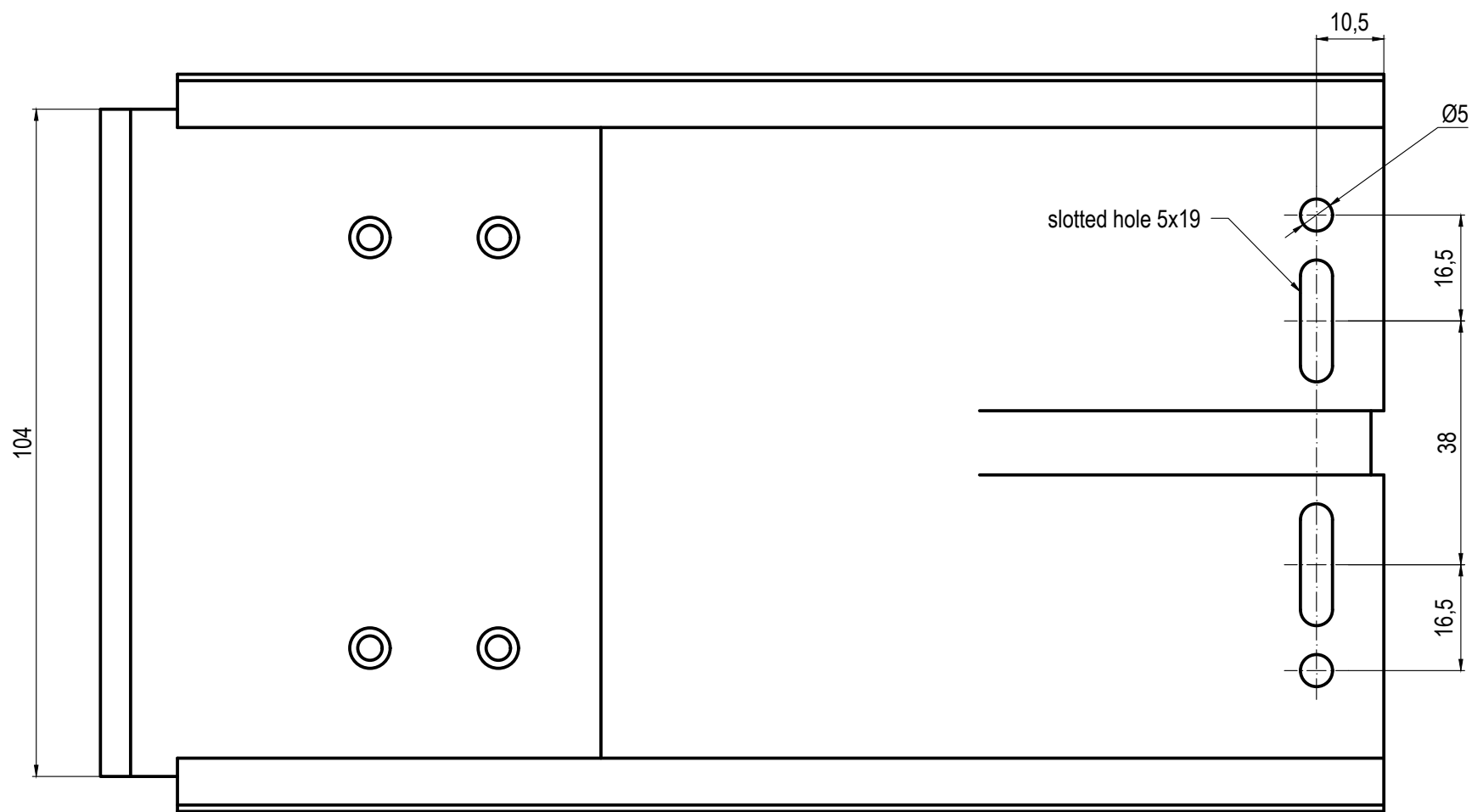


WALL BRACKET FOR FIXING HEAVY FACADE MATERIALS

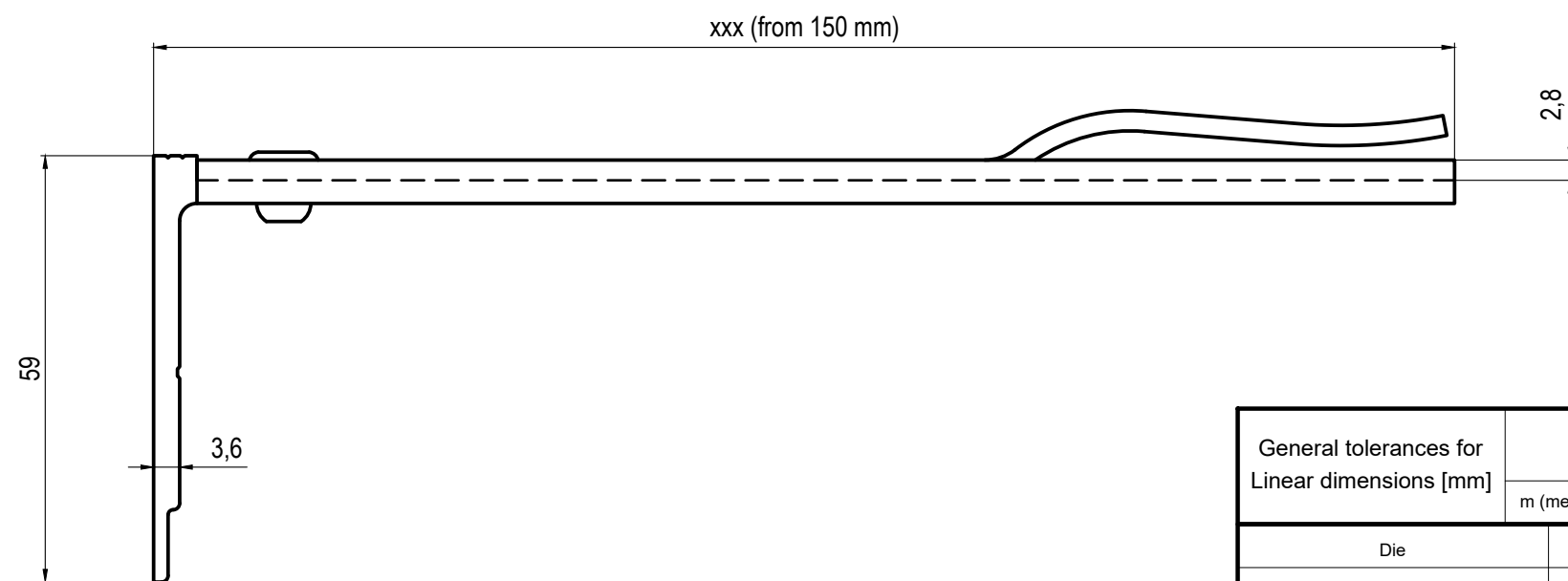
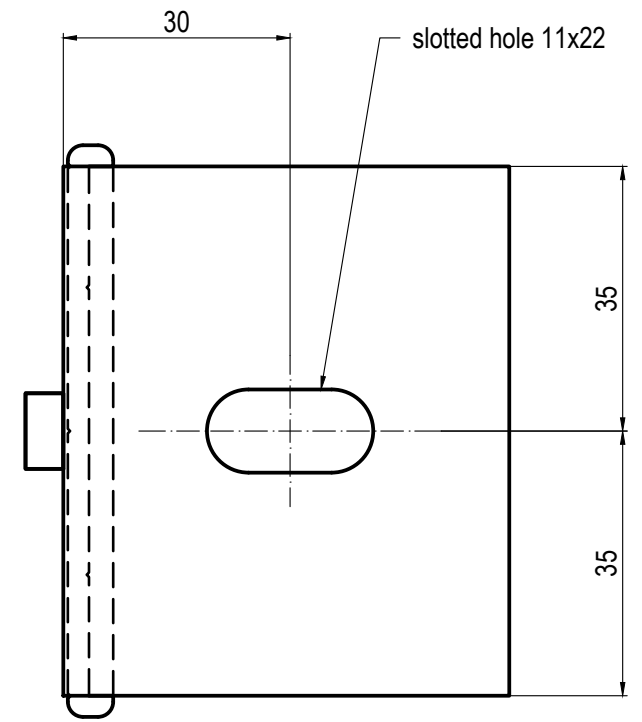
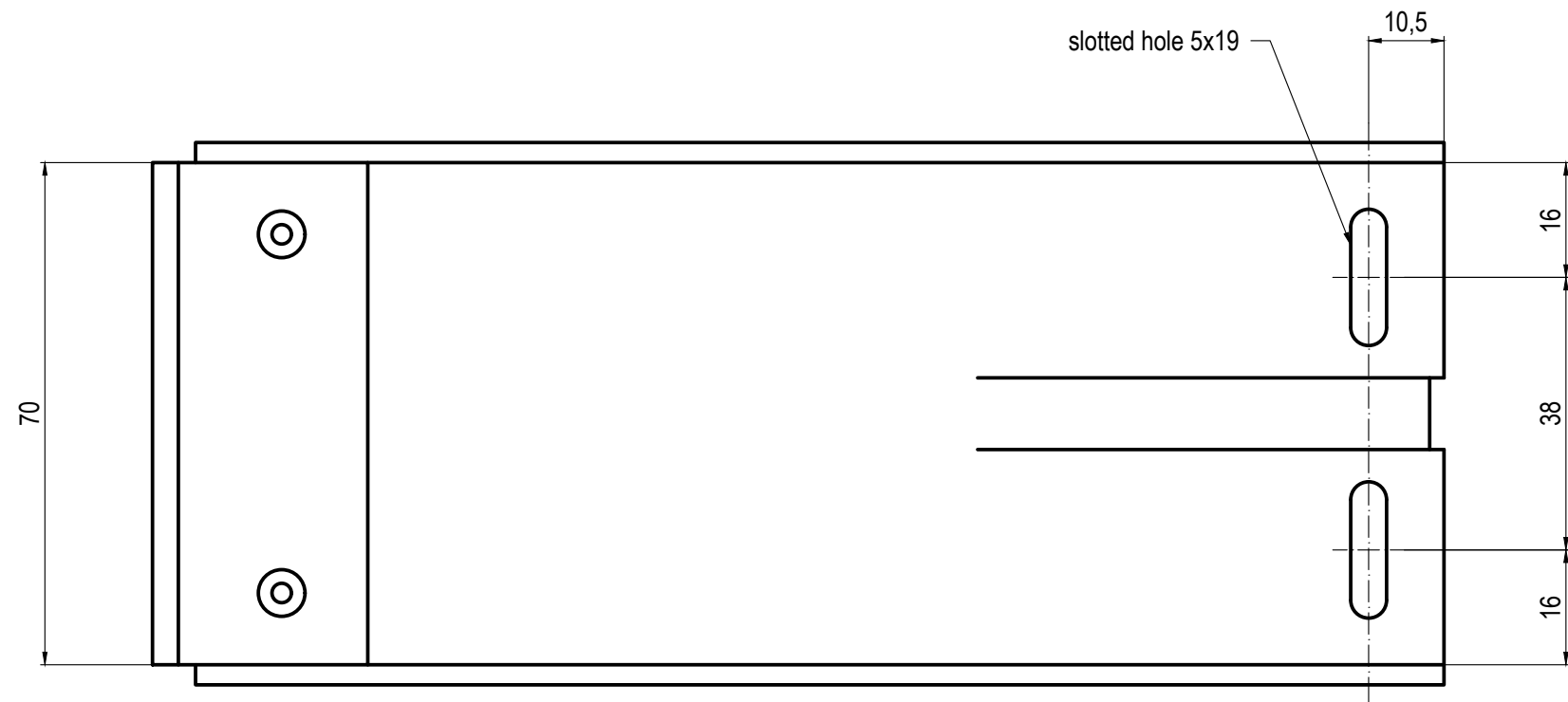
The engineering design of this project is an intellectual property of Q-VENT. Coping and distributing any parts of the product is a violation of the copyright law.



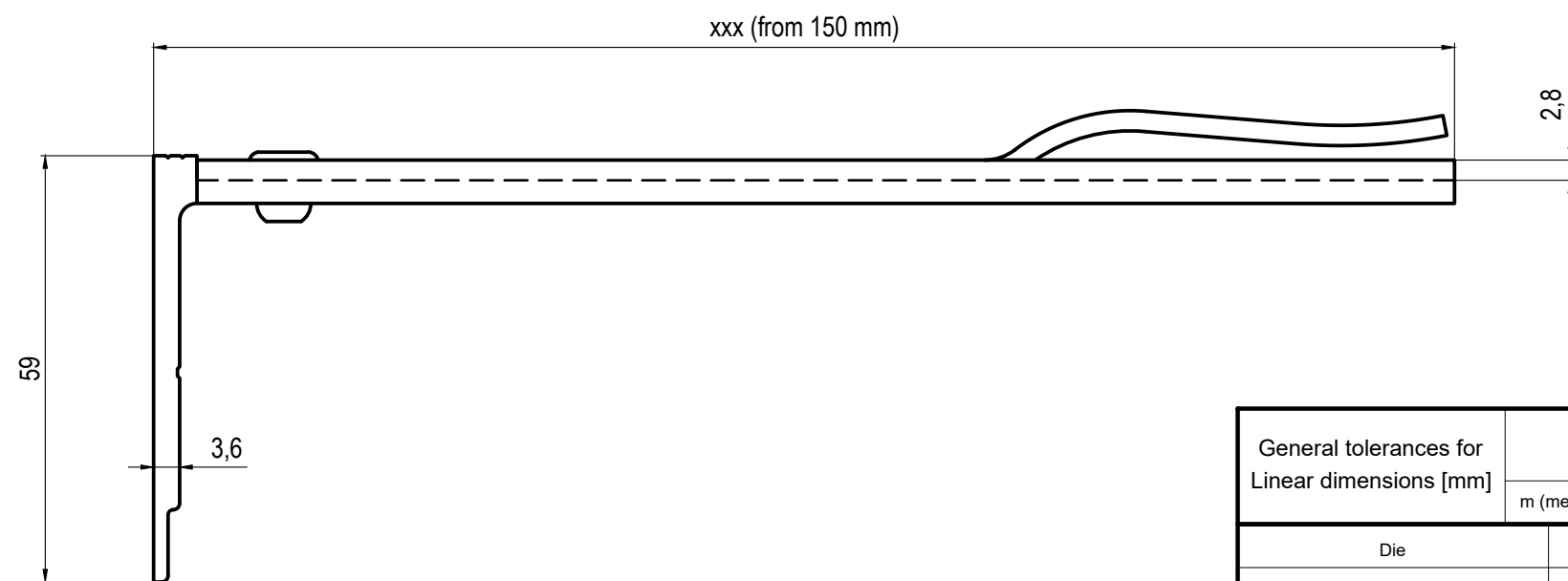
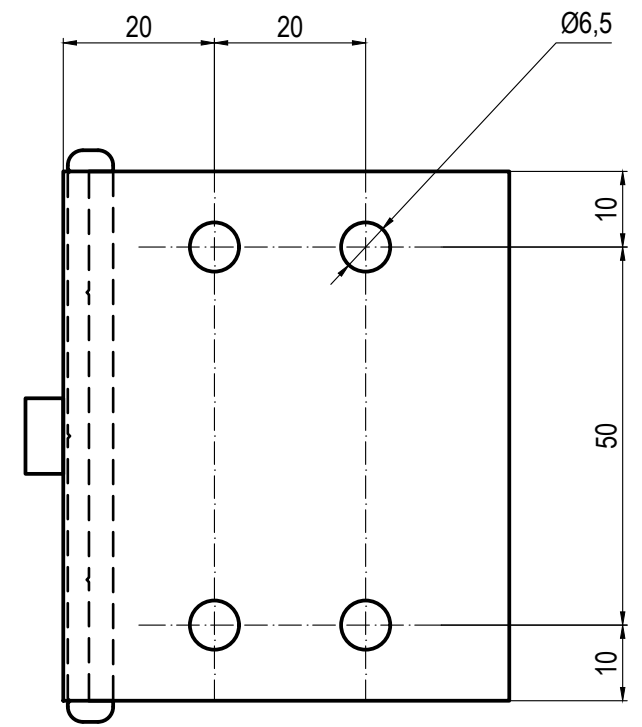
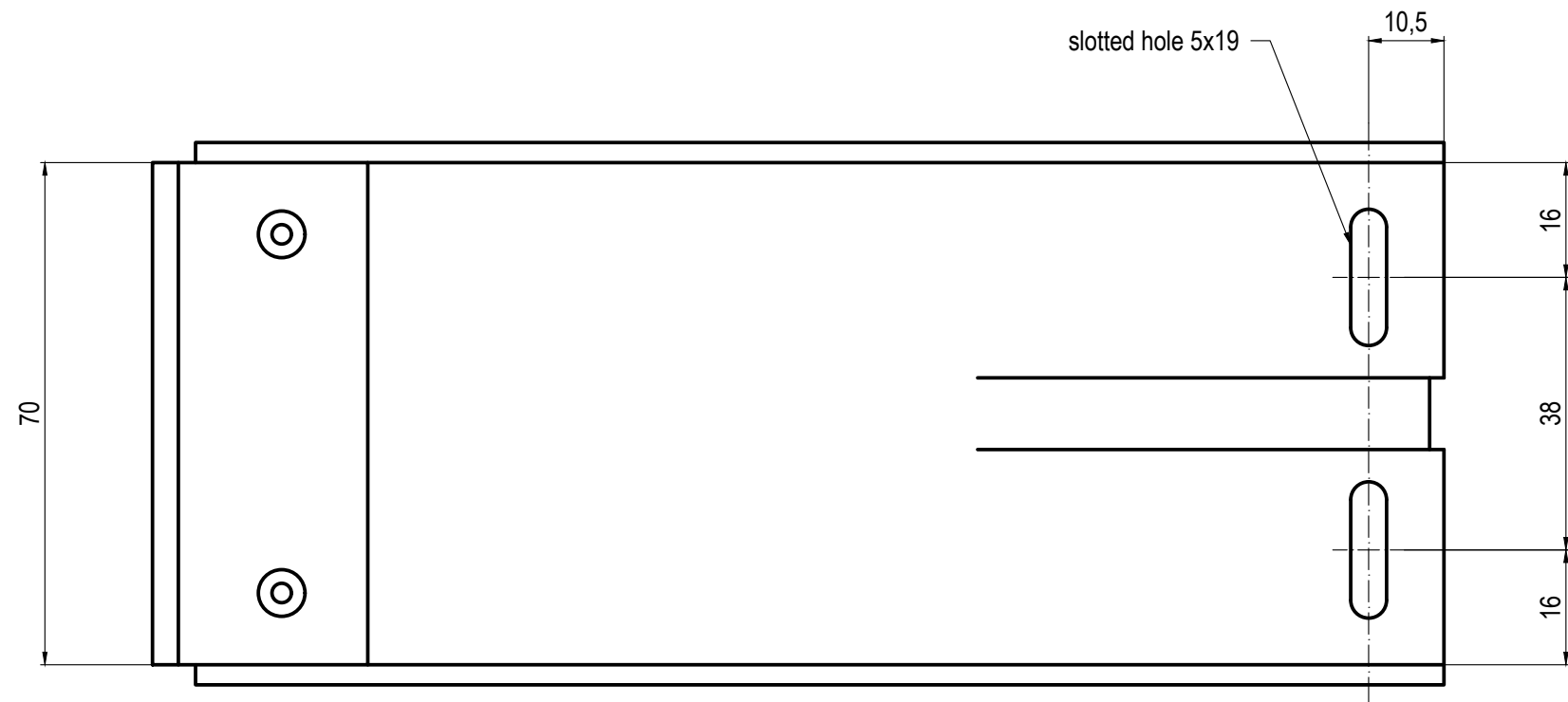
| General tolerances for Linear dimensions [mm] | over up to | 0,5 | 3 | 6 | 30 | 120 | 400 | 1000 | 2000 | All unspecified extrusion tolerances per EN 755-9. | |
|---|----------------|--------------------------|-------------|-----------------|---------------------|------|------|------|------|--|------------|
| | m (medium) | ±0.1 | ±0.1 | ±0.2 | ±0.3 | ±0.5 | ±0.8 | ±1.2 | ±2.0 | | |
| Die | Material | | Weight | | Article No | | | | | | |
| | AW 6063 | | vary | | 02.FU.xxx.10 | | | | | | |
| Drawn by | Checked by | Approved by / date | | Date | | | | | | | |
| T.I. | | | | NOV 2017 | | | | | | | |
| Q-VENT | | WALL BRACKET FixU | | | | | | | | Revision | Scale |
| | | | | | | | | | | | 1:1 |



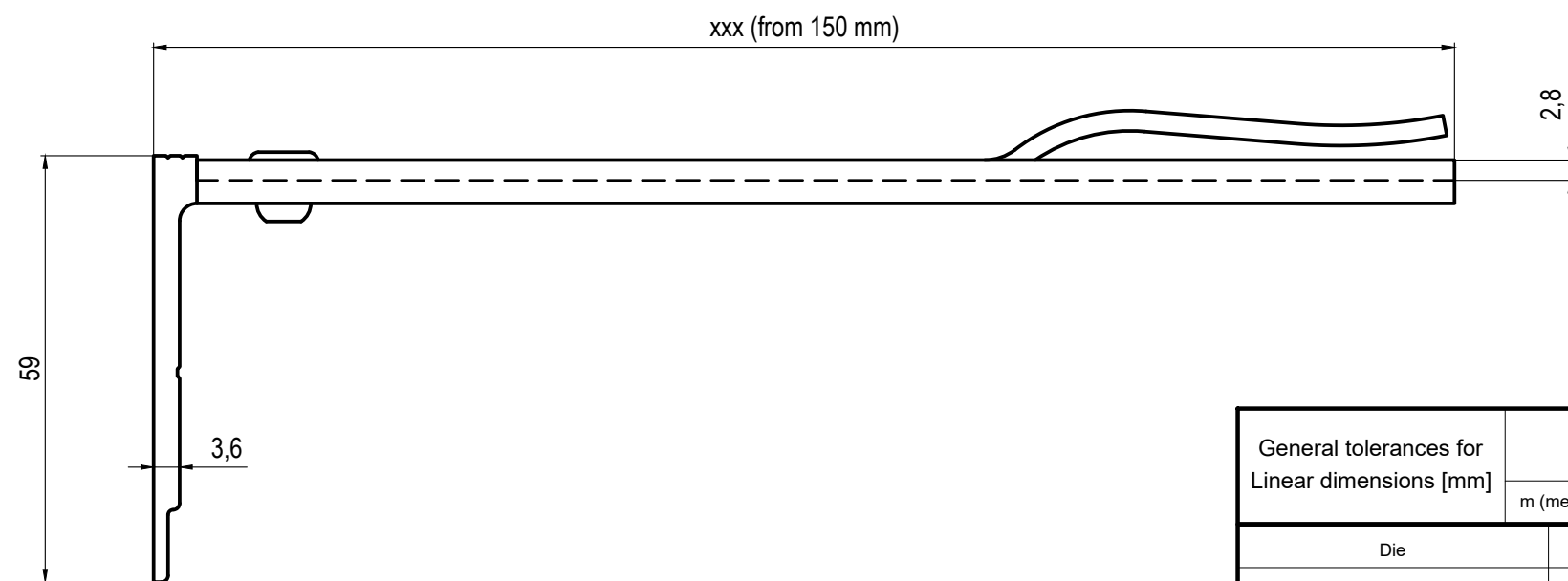
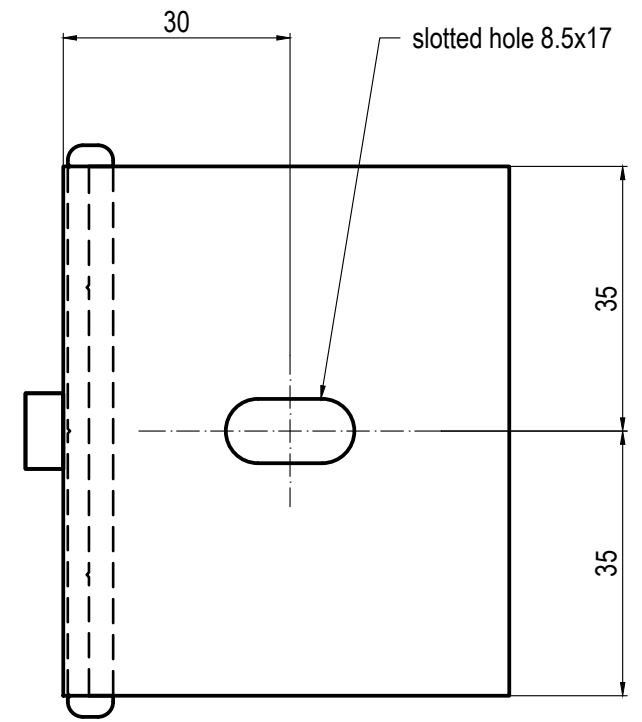
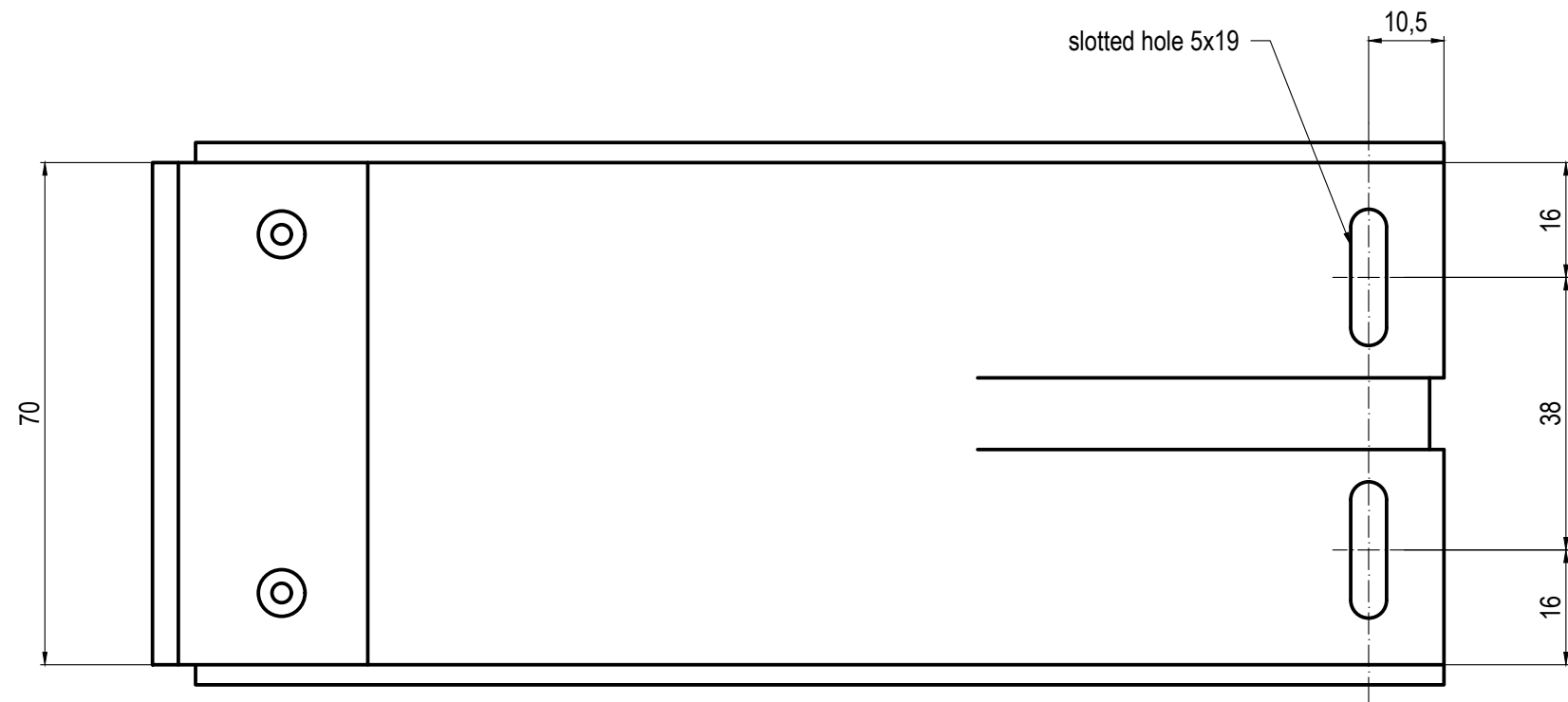
| General tolerances for Linear dimensions [mm] | over up to | 0.5 3 | 3 6 | 6 30 | 30 120 | 120 400 | 400 1000 | 1000 2000 | 2000 4000 | All unspecified extrusion tolerances per EN 755-9. |
|---|----------------|--------------------|-------------|--------------------------|---------------------|------------|-------------|--------------|--------------|--|
| | m (medium) | ±0.1 | ±0.1 | ±0.2 | ±0.3 | ±0.5 | ±0.8 | ±1.2 | ±2.0 | |
| Die | Material | | Weight | | Article No | | | | | |
| | AW 6063 | | vary | | 02.FU.xxx.08 | | | | | |
| Drawn by | Checked by | Approved by / date | | Date | | | | | | |
| T.I. | | | | NOV 2017 | | | | | | |
| Q-VENT | | | | WALL BRACKET FixU | | | | | | |
| | | | | Revision | Scale | | | | | |
| | | | | | 1:1 | | | | | |



| General tolerances for Linear dimensions [mm] | over up to | 0,5 3 | 3 6 | 6 30 | 30 120 | 120 400 | 400 1000 | 1000 2000 | 2000 4000 | All unspecified extrusion tolerances per EN 755-9. |
|--|----------------|----------------------------|-------------|-------------------------|---------------------|------------|-------------|--------------|--------------|---|
| | m (medium) | ±0.1 | ±0.1 | ±0.2 | ±0.3 | ±0.5 | ±0.8 | ±1.2 | ±2.0 | |
| Die | Material | | Weight | | Article No | | | | | |
| | AW 6063 | | vary | | 02.FL.xxx.10 | | | | | |
| Drawn by T.I. | Checked by | Approved by / date | | Date NOV 2017 | | | | | | |
| Q-VENT | | WALL BRACKET FixU L | | | | | | | | |



| General tolerances for Linear dimensions [mm] | over up to | 0,5 3 | 3 6 | 6 30 | 30 120 | 120 400 | 400 1000 | 1000 2000 | 2000 4000 | All unspecified extrusion tolerances per EN 755-9. |
|--|----------------|--------------------|----------------------------|-------------------------|---------------------|------------|-------------|--------------|--------------|---|
| | m (medium) | ±0.1 | ±0.1 | ±0.2 | ±0.3 | ±0.5 | ±0.8 | ±1.2 | ±2.0 | |
| Die | Material | | Weight | | Article No | | | | | |
| | AW 6063 | | vary | | 02.FL.xxx.63 | | | | | |
| Drawn by T.I. | Checked by | Approved by / date | | Date NOV 2017 | | | | | | |
| Q-VENT | | | WALL BRACKET FixU L | | | | | | | |



| General tolerances for Linear dimensions [mm] | over up to | 0,5 | 3 | 6 | 30 | 120 | 400 | 1000 | 2000 | All unspecified extrusion tolerances per EN 755-9. |
|---|----------------|--------------------|----------------------------|-------------------------|---------------------|------|------|------|------|--|
| | m (medium) | ±0.1 | ±0.1 | ±0.2 | ±0.3 | ±0.5 | ±0.8 | ±1.2 | ±2.0 | |
| Die | Material | | Weight | | Article No | | | | | |
| | AW 6063 | | vary | | 02.FL.xxx.08 | | | | | |
| Drawn by T.I. | Checked by | Approved by / date | | Date NOV 2017 | | | | | | |
| Q-VENT | | | WALL BRACKET FixU L | | | | | | | |